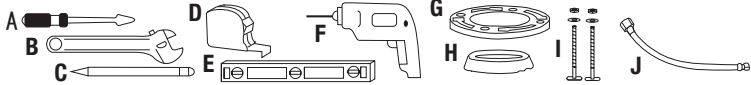


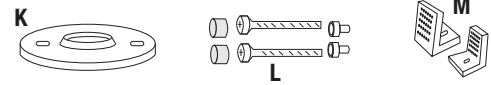
INSTALLATION INSTRUCTIONS, SKIRTED HET TWO PIECE TOILET with WAX RING SEAL PLATE



Recommended Tools & Materials



Items Included



- (A) Screw Driver (B) Adjustable Wrench (C) Marker (D) Tape Measure (E) Level (F) Drill (G) Toilet Flange (H) Wax Ring (I) T-bolts(2), nuts(2), washers(2) (J) Flexible Supply Tube (K) Wax Ring Seal Plate (L) Fixing Screws(2), Decorative Caps(2), Cap Base(2) (M) Flange Connecting Brackets(2)



CAUTION PRODUCT IS FRAGILE

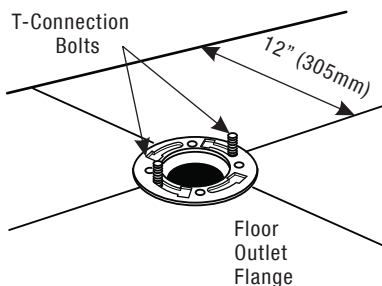
Handle with care to avoid breakage and possible injury.

Note: Views in this illustration are for general representation and may not necessarily define the exact contours of the product.

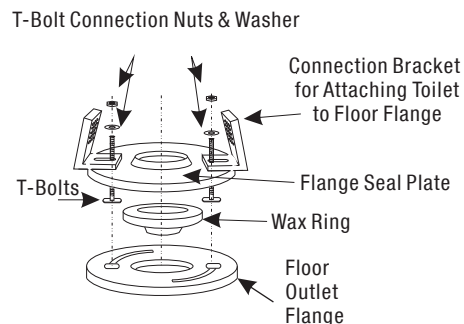
1 Remove Old Toilet

- Shut off water supply line to toilet. Flush toilet and remove all water from the bowl and tank using a sponge.
- Disconnect the water supply from the tank.
- Remove the tank from bowl, use a screw driver and adjustable wrench or socket wrench.
- Loosen toilet bowl flange nuts under bolt caps. Remove old bowl by carefully lifting it off the floor.
- Clean flange and plug drain with a rag to prevent sewer gas from escaping. Replace or repair if required.

2 Install Wax Ring Seal Plate and Connection Brackets

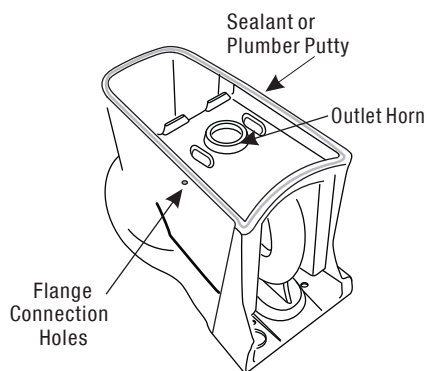


- A. Place two new T-bolts into the slot on the toilet flange.
- B. Install the wax ring to the underside of the seal plate, then press the seal plate down evenly over the T-bolts and onto the floor flange.
- C. Place the connection "L" brackets onto the T-bolts, then attach the washers and nuts to the T-bolt.
- D. Tighten the assembly snug.

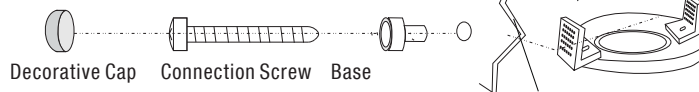


Seal Plate Assembly

3 Install Water Closet Base

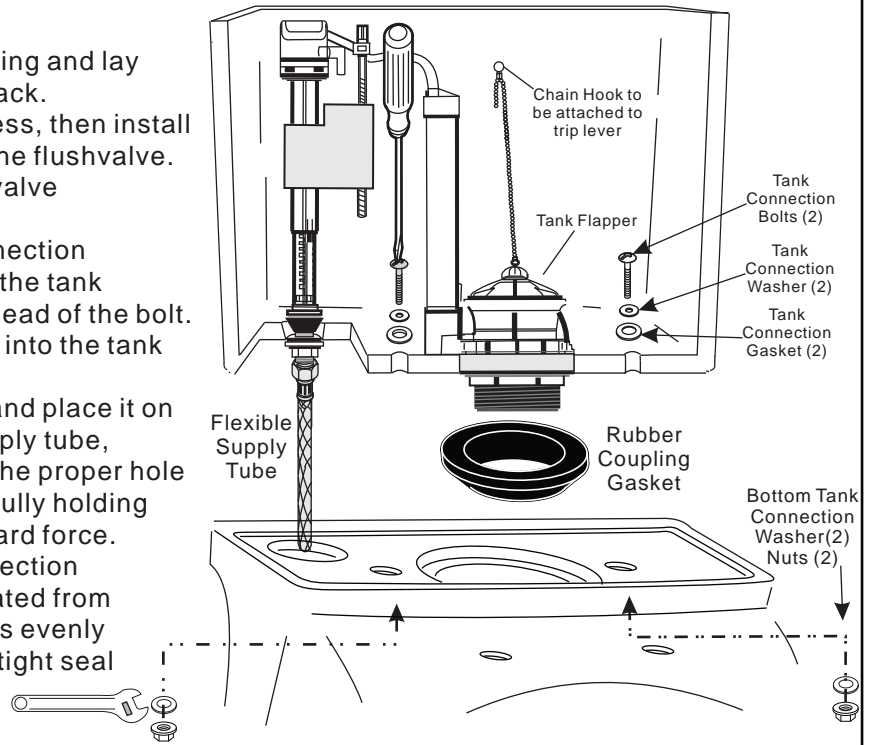


- E. Place toilet bowl upside down on clean surface.
- F. Install a bead of sealant or plumbers putty around the outside foot base.
- G. Now lift the bowl over the seal plate assembly and lower the bowl into place aligning the flange connection holes with the connection brackets.
- H. Firmly push the toilet down seating the bowl horn into the rubber gasket of seal plate assembly.
- I. Set the bowl in place by gently rocking back and forth on the bowl rim. The "L" brackets should extend up through the slots on both sides of the outlet horn.
- J. With bowl firmly set, insert fixing screws into seat base, slide connection screw and base into the flange connection holes and tighten on both sides of the bowl.
- K. Snap decorative cap over connection screw head.



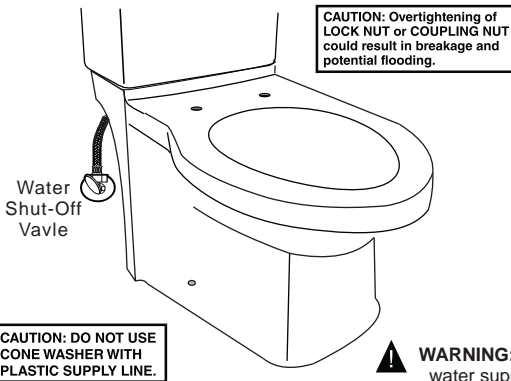
4 Install Toilet Tank to Bowl

L. Carefully remove the tank from the packaging and lay it on a clean and stable surface on the tank back.
 M. Check tank fittings and handles for tightness, then install the rubber coupling gasket onto the stem of the flushvalve.
 N. Connect the flexible supply tube to the fillvalve and snug the connection tight by hand.
 O. Insert the brass washer onto the tank connection bolts first, then insert the rubber gasket onto the tank connection bolts and slide them to the base head of the bolt.
 P. Now insert the connection bolt assemblies into the tank to bowl connection holes.
 Q. Gently lift the tank to the upright position and place it on the bowl making sure to align the flexible supply tube, flushvalve gasket and connection bolts with the proper hole locations on the bowl. Now set in place carefully holding the tank from tipping and holding in a downward force.
 R. Slide the brass washer first, then the connection nuts onto the end of the connection bolts located from around the back of the bowl. Tighten the bolts evenly and in equal pressure until a snug and water tight seal is made.



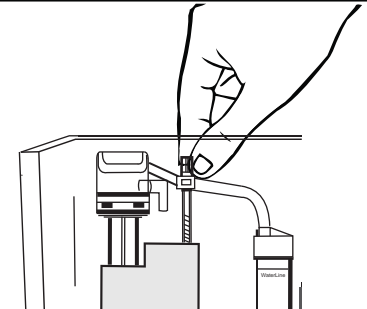
**NOTE: DO NOT OVERTIGHTEN!
 DO NOT SPIN HEAD OF BRASS BOLT WITH SCREWDRIVER!
 DO NOT use sealants or silicon on this fitting.**

5 Connect the Water Supply



S. Route the supply tube from behind the bowl and connect to the Water Shut-Off Valve.
 T. Open valve slowly and **check for all leaks** in connections and toilet.

U. Use the thumb screw on the fill valve to adjust water level to the waterline mark.



WARNING: Do not use plumbers putty, pipe dope or any other sealant on the water supply connections to this tank.
WARRANTY is void if any type of sealant is used on the water supply connection.

6 Install Tank Lid and Seat

V. Gently set the lid on the toilet tank.
 W. Your toilet comes packaged with a custom designed seat to match the contours and design. Please find enclosed in the toilet seat the directions for installation of this component.

7 Tank Replacement Part Information

The inside back of you tank is stamped with replacement part information. Please record and maintain this record for future maintenance and reliable service of your new toilet.

MISENO
 TAKE ME HOME

WARNING



DO NOT USE IN-TANK TOILET BOWL CLEANERS CONTAINING BLEACH OR CHLORINE

Use of such products will:

1. Result in Damage to tank components and may cause flooding and property damage.
2. Void Tynan Plumbing Fixtures Limited Warranty

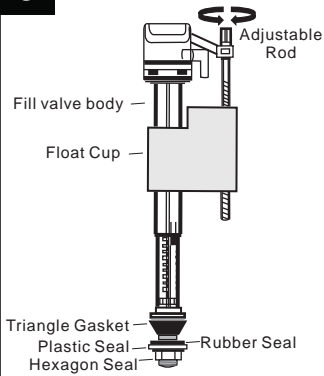
8 Care and Maintenance

When cleaning your toilet, wash it with mild, soapy water, rinse thoroughly with clear water and dry with a soft cloth. Avoid detergents, disinfectants or cleaning products in aerosol cans.

NEVER use abrasive scouring powders or abrasive pads on your toilet seat. Some bathroom chemicals and cosmetics may damage the seat's finish.

Caution: Product is Fragile. To avoid breakage and possible injury handle with care!
Do not use abrasive powered or liquid cleaners which can damage the product surface.
Over tightening of the lock nut or coupling nut could result in breakage and flooding.
Do not use the cone washer with a plastic supply line.
Do not use pipe dope or other silicon based materials to tighten supply coupling nut.

9 Troubleshoot



Problem	Reason	Solution
Fill Valve will not fill!	Water supply is closed? Float valve is stuck? Drain Guards are stuck?	Turn on water supply at angle stop valve. Loosen fill valve nut and turn fill valve away from back of tank. Clean drain guard of debris.
Fill valve will not shut off!	Water supply continues to run? Float is stuck? Flapper is stuck open?	Turn off water and clean the inside fill valve. Loosen fill valve nut and turn fill valve away from back of tank. Check chain length and flush valve seat.
Leakage!	Flush valve nut is loose? Fill valve nut is loose? Flapper is not seated properly?	Check the flush valve is tightened into place. Check hex nut on fill valve to assure it is tight. Clean flush valve seat, replace flapper if necessary.
Poor Flush!	Water level is not set to proper height? Low water pressure? Obstruction in bowl? Short Flush?	Adjust the water level set screw to assure water is at the maximum level line. Make sure the minimum water pressure is above 35 PSI. Plunger the bowl and clean the drain line as necessary. Adjust the chain length of the flapper.

10 Service Records and Notes

Save this document for future reference.

Miseno Plumbing Fixtures Limited Warranty

What is the Warranty Period?

The warranty is for ten years from installation date or purchase of home on toilet bowl and tank. One year on ballcock, flush valve and trip lever.

Who Is Covered?

The warranty covers the original purchaser or first home owner.

What Does the Warranty Cover?

The warranty covers the vitreous china product that is defective in materials or workmanship.

What Does the Warranty Not Cover?

Failures to fittings due to chlorine or other chemicals.
Installation and labor costs you incurred for replacement.
Repair costs and damage due to leaks from supply line failures.
Products not installed per Miseno's instructions.
Product that were subject to abuse or misuse.
Products that do not meet local building code requirements.
Products with faulty maintenance.

What Will We Do to Correct Problems?

We will repair or replace the product with the replacement model.

What Do you do to get Service or order replacement parts?

You may contact the place of purchase or Miseno at info@miseno.com



Build.com, Inc.
401 Otterson Drive, Suite 100
Chico, CA 95928
(800) 375-3403

